




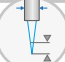





More Precision

interferoMETER // High precision absolute interferometers



Absolute distance measurements with nanometer resolution

interferoMETER 5400-DS

-  Absolute measurement with nanometer resolution
-  Compact and robust sensors with large offset distance
-  Measuring rate up to 6 kHz for high speed measurements
-  Ethernet / EtherCAT / RS422 / PROFINET / EtherNet/IP
-  Robust controller with passive cooling
-  Easy configuration via web interface
-  Flexible industrial integration



Absolute distance measurements with nanometer resolution

The IMS5400-DS absolute interferometer opens up new perspectives in industrial distance measurements. The controller has an intelligent evaluation feature and enables absolute measurements with nanometer resolution at a relatively large offset distance. Compared to other absolute measuring optical systems, the IMS5400-DS offers an unsurpassed combination of accuracy, measuring range and offset distance.

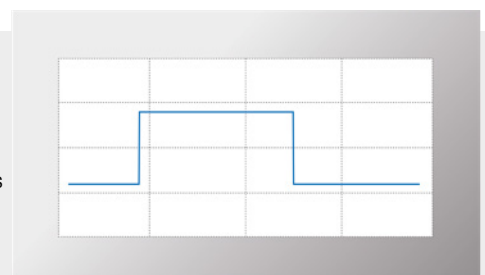
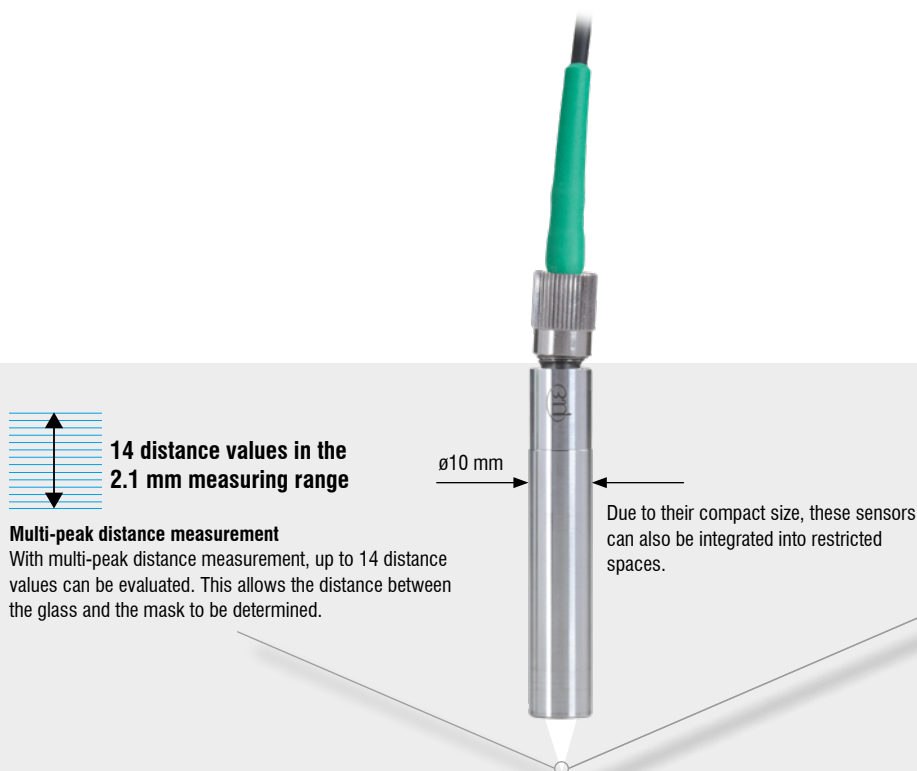
Small light spot for the smallest of details and structures

The sensors generate a small light spot over the entire measuring range.

The light spot diameter is only $10\ \mu\text{m}$ in the mid of the measuring range and enables the detection of small details, for example structures on semiconductors and miniature electronic components.

Absolute measurement of step profiles

Unlike interferometers based on relative measurements, the IMS5400-DS also enables the measurement of step profiles. Thanks to the absolute measurement, the scanning is performed with high signal stability and precision. When measuring on moving objects, the differences in height of heels, steps and depressions can thus be reliably detected.



Absolute measurement of step profiles

Due to the absolute thickness measurement, step profiles are detected with high signal stability and subnanometer resolution.

Controller

Model	IMS5400-DS	IMS5400MP-DS
Resolution ^[1]	< 1 nm	
Measuring rate	continuously adjustable from 100 Hz to 6 kHz	
Linearity ^[2]	< ±50 nm	< ±50 nm for the first distance; < ±150 nm for each further distance
Temperature stability	temperature compensated, stability < 10 ppm between +15 ... +35 °C	
Multi-peak measurement	-	up to 13 layers
Light source	NIR-SLED, narrow wavelength band at approx. 840 nm; pilot laser: laser LED, wavelength 635 nm	
Laser class	Class 1 according to DIN EN 60825-1: 2015-07; Pilot laser: Class 1, power (< 0.2 mW)	
Supply voltage	24 VDC ±15 %	
Power consumption	approx. 10 W (24 V)	
Signal input	Sync in, trigger in, 2x encoders (A+, A-, B+, B-, index)	
Digital interface	Ethernet / EtherCAT / RS422 / PROFINET ^[3] / EtherNet/IP ^[5]	
Analog output	4 ... 20 mA / 0 ... 10 V (16 bit D/A converter)	
Switching output	Error1-Out, Error2-Out	
Digital output	sync out	
Connection	Optical	Pluggable fiber optic cable via E2000 socket (controller); see accessories for cable lengths; bending radius: static 30 mm, dynamic 40 mm
	Electrical	3-pin supply terminal strip; encoder connection (15-pin, HD-sub socket, max. cable length 3 m, 30 m with external encoder supply); RS422 connection socket (9-pin, Sub-D, max. cable length 30 m); 3-pin output terminal strip (max. cable length 30 m); 11-pin I/O terminal strip (max. cable length 30 m); RJ45 socket for Ethernet (out) / EtherCAT (in/out) (max. cable length 100 m)
Mounting	Free-standing, DIN rail mounting	
Temperature range	Storage	-20 ... +70 °C
	Operation	+15 ... +35 °C
Shock (DIN EN 60068-2-27)	15 g / 6 ms in XY axis, 1000 shocks each	
Vibration (DIN EN 60068-2-6)	2 g / 20 ... 500 Hz in XY axis, 10 cycles each	
Protection class (DIN EN 60529)	IP40	
Material	Aluminum housing, passive cooling	
Control and indicator elements	Multifunction button: two adjustable functions and reset to factory settings after 10 s; web interface for setup: selectable presets, freely selectable averaging, data reduction, setup management; 6 x color LEDs for intensity, range, SLED, pilot laser, status and power; pilot laser: can be switched on for sensor alignment	

^[1] All data at constant ambient temperature (24 ±2 °C). Measuring rate 0.5 kHz, moving average over 64 values, measured differentially between the front and back of a thin glass plate in the mid of the measuring range (2 sigma)

^[2] Maximum deviation from reference system over the entire measuring range, measured on front surface of ND filter

^[3] Optional connection via interface module (see accessories)

Sensors for distance measurements

interferoMETER 5400-DS/5600-DS



Sensors for the IMS5400 / IMS5600 controllers for distance measurement

Model		IMP DS1/VAC	IMP DS0.5/90/VAC	IMP DS10/90/VAC	IMP DS19
Measuring range	Distance	1 mm	1.5 mm	1.5 mm	2.1 mm
	Thickness ^[1]	0.01 ... 0.7 mm	0.01 ... 1.0 mm	0.01 ... 1.0 mm	0.01 ... 1.3 mm
Start of measuring range		1 mm	0.5 mm	10 mm	19 mm
Temperature stability		Linearity: typ. 0.1 nm / K (without offset shift)			
Light spot diameter ^[2]		10 μm			
Measuring angle ^[3]		±2°			
Target material		Glass, reflecting or diffuse surfaces ^[4]			
Connection	Optical	Sensor with integrated vacuum optical fiber; length 2 m and FC/APC connector. Extension via pluggable optical fiber FC socket (vacuum feedthrough); cable lengths see accessories; bending radius: static 30 mm, dynamic 40 mm	Pluggable fiber optic cable via FC socket (vacuum feedthrough); pluggable UHV fiber optic cable via FC socket (feedthrough and sensor with vacuum capability); cable lengths see accessories; bending radius: static 30 mm, dynamic 40 mm		
Mounting		Radial clamping, mounting adapter (see accessories)			
Temperature range	Storage	-20 ... +70 °C			
	Operation	+5 ... +70 °C			
Dimensions	Diameter	Ø4	Ø10	Ø10	Ø10
	Length	23 mm	approx. 78.1 mm	approx. 68.6 mm	55 mm
Protection class (DIN EN 60529)		IP40	IP40	IP40	IP65; IP40 (option/VAC)
Vacuum		UHV (cable and sensor)	UHV (cable and sensor)	UHV (cable and sensor)	Optional UHV (cable and sensor)
Material		Stainless steel; optional: titanium housing	Stainless steel	Stainless steel; optional: titanium housing	Stainless steel; optional: titanium housing

^[1] Application for MP measurement

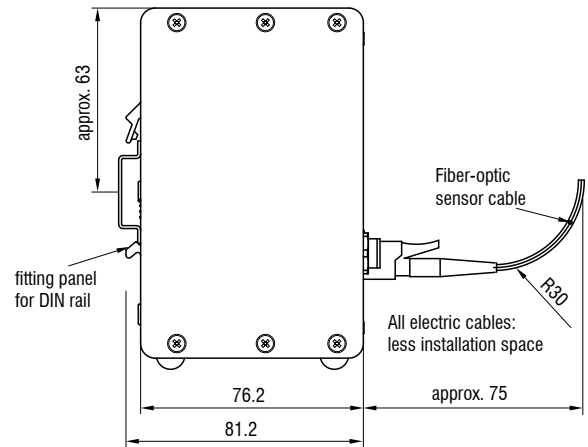
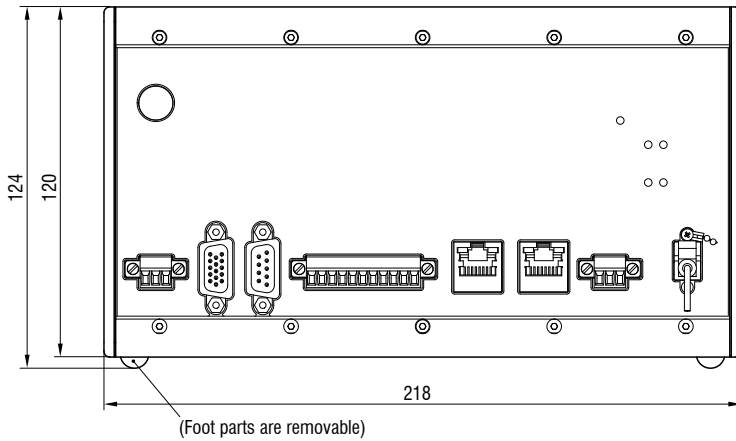
^[2] All data at constant ambient temperature (24 ±2 °C). In the mid of the measuring range

^[3] Maximum sensor tilt angle that produces a usable signal on polished glass (n = 1.5) in the mid of the measuring range. The accuracy decreases when approaching the limit values.

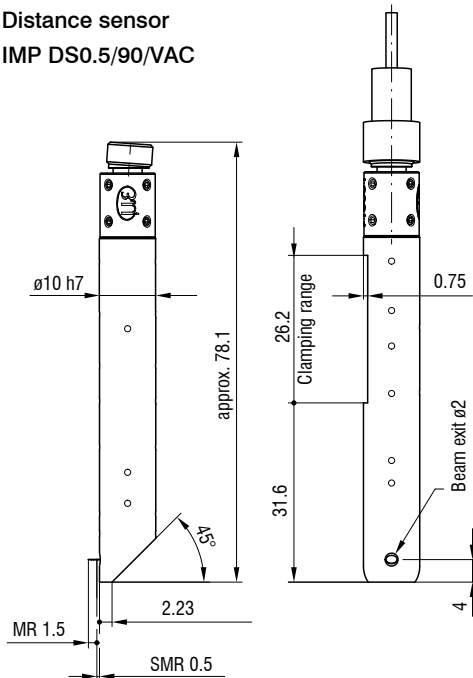
^[4] Non-transparent materials require optically dense surface at a wavelength of 840 nm

Dimensions

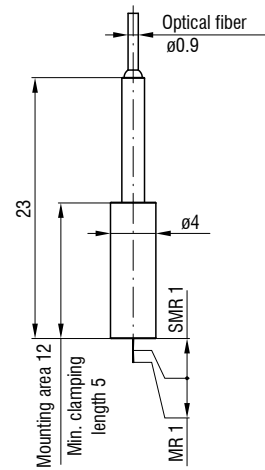
IMS5400-DS / IMS5600-DS controller



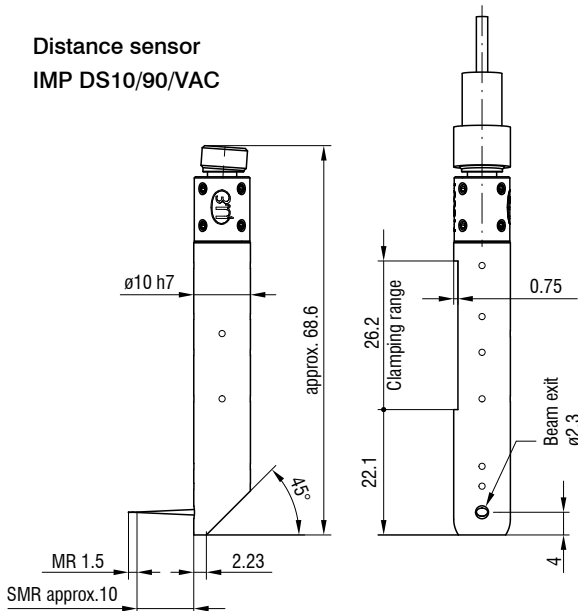
Distance sensor IMP DS0.5/90/VAC



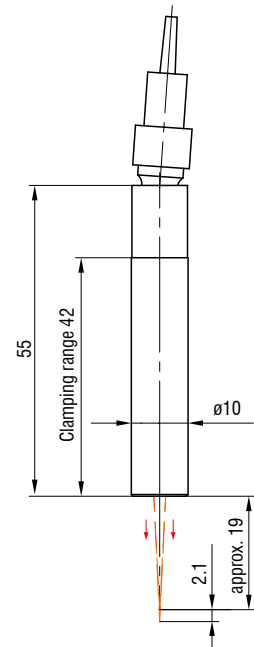
Distance sensor IMP DS1/VAC



Distance sensor IMP DS10/90/VAC

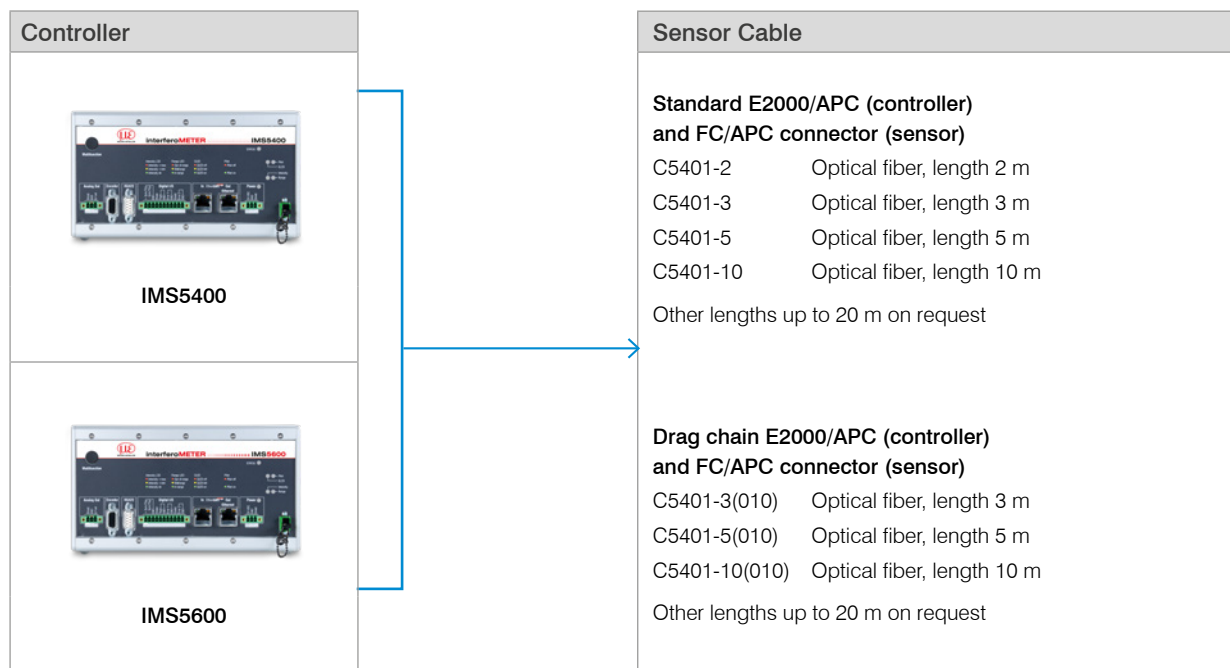


Distance sensor IMP-DS19

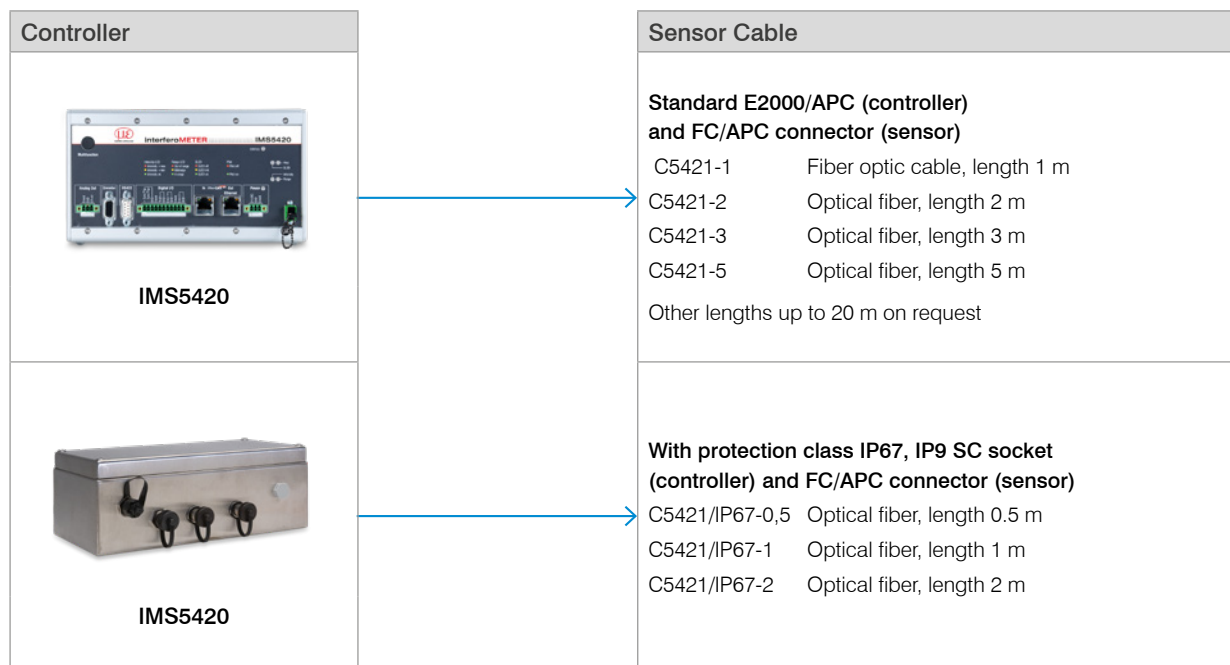


Connection possibilities interferoMETER

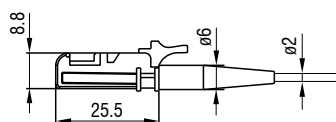
Connection options for the IMS5400 and IMS5600 controllers



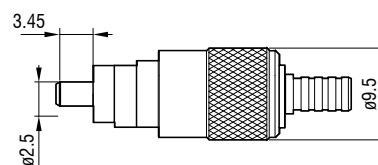
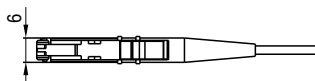
Connection options for the IMS5420 controller



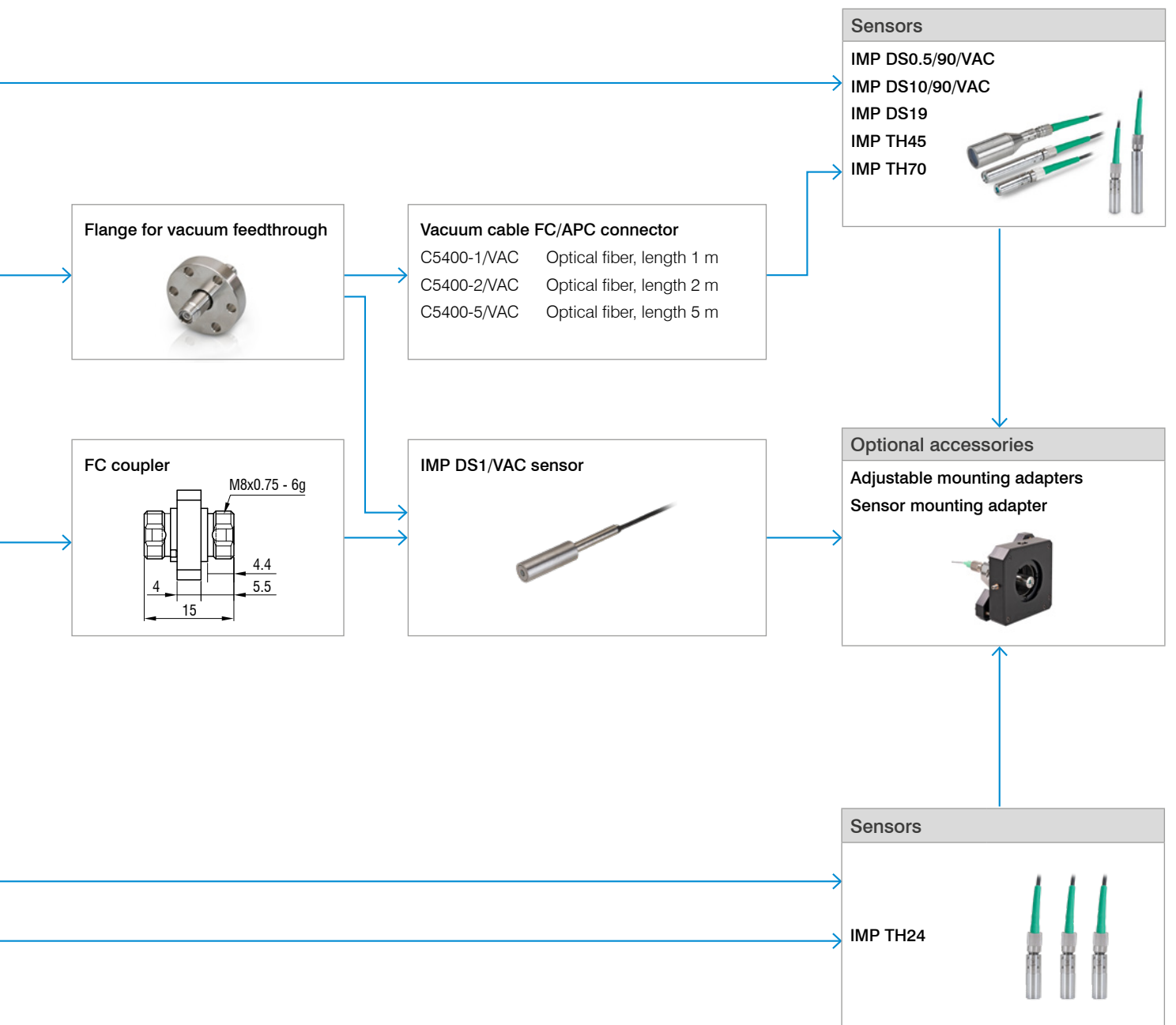
Connector



E2000/APC Standard connector



FC/APC Standard connector



Article designations

DS IMS5xxx-DSxx
distance measuring system
(e.g. IMS5600MP-DS19)

IMS5xxx	-DSxx
Controller model	Sensor model
IMS5400	DS1/VAC
IMS5400MP	DS19
IMS5600	DS19/VAC
IMS5600MP	DS0.5/90/VAC DS10/90/VAC

TH IMS5xxx-THxx
thickness measuring system
(e.g. IMS5400-TH45/VAC)

IMS5xxx	-THxx
Controller model	Sensor model
IMS5400	TH45
IMS5400MP	TH45/VAC TH70

TH IMS5420xx-THxx
wafer thickness measuring system
(e.g. IMS5420-TH24)

IMS5xxx	-THxx
Controller model	Sensor model
IMS5420	TH24
IMS5420MP	TH24(204)
IMS5420IP67	
IMS5420IP67MP	

Optional accessories

interferoMETER

Flange for vacuum feedthrough

C5405/VAC/1/CF16 CF flange
 C5405/VAC/1/KF16 KF flange

Mounting adapter

MA5400- 10 Mounting adapter for IMP-DS19/ -TH45
 MA5400- 20 Mounting adapter for IMP-TH70
 MA2402-4 Mounting adapter for IMP-DS1

Other accessories

SC2471-x/IF2008 IMC5400/5600 connector cable+ IF2008/PCIE, length 3 m / 10 m
 SC2471-x/RS422/OE IMC5400/5600 interface cable + IF2001/USB, length 3 m / 10 m
 IF2001/USB RS422/USB converter
 IF2008/PCIE Interface card
 IF2035/PNET Interface module for PROFINET integration
 IF2035-EIP Interface module for EtherNet/IP with DIN rail housing
 PS2020 Power supply 24V / 2.5A
 EC2471-3/OE Encoder cable, 3 m

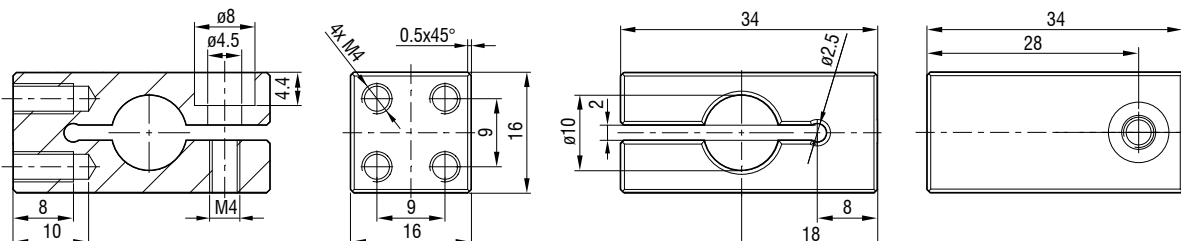


C5405/VAC/1/CF16
 C5405/VAC/1/KF16

Sensor mounting adapter

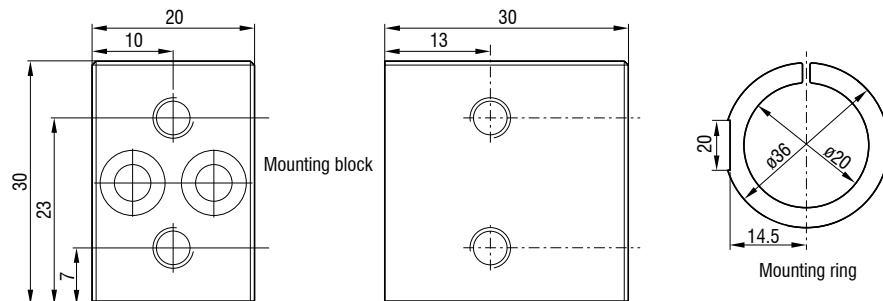
MA5400-10

Sensor mounting adapter for all interferoMETER sensors:
 (exception IMP-DS1, IMP-TH70)



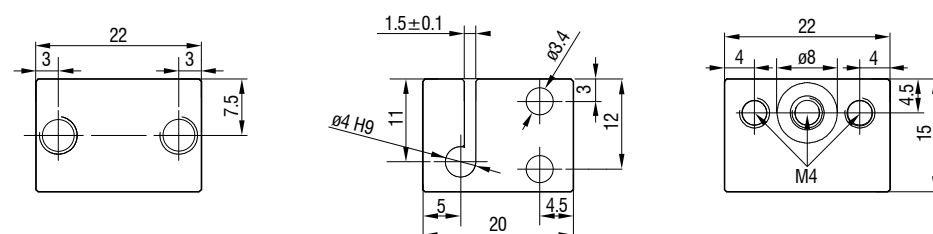
MA5400-20

Sensor mounting adapter for IMP-TH70 sensors:



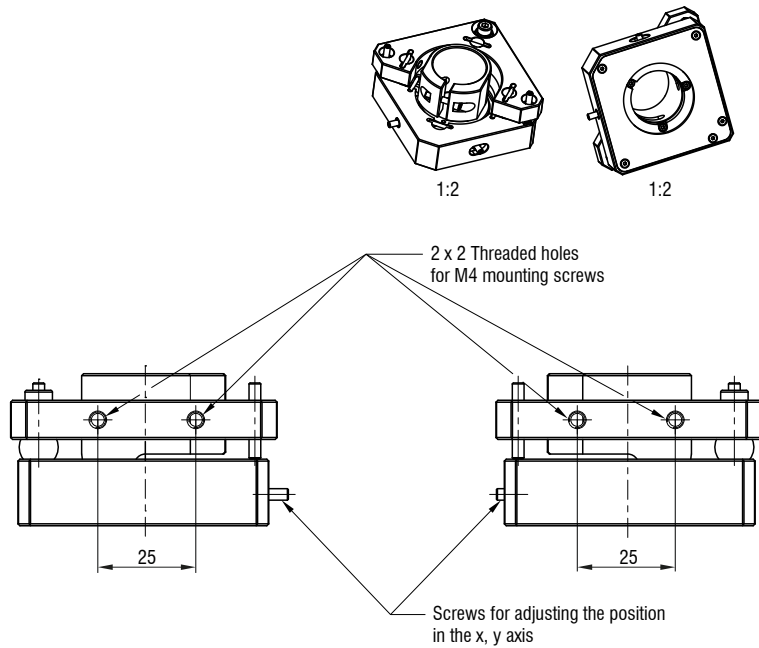
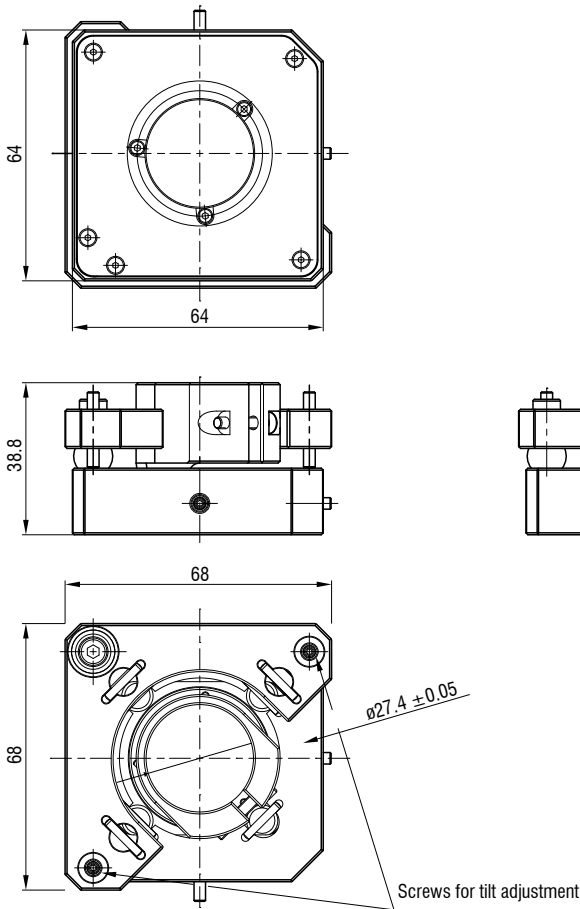
MA2402-4

Sensor mounting adapter for IMP-DS1 sensors



Adjustable mounting adapter

The adjustable JMA mounting adapter simplifies the alignment and fine adjustment of interferometric sensors. The sensors and adapters can be integrated into the machine and aligned directly on site. This corrects, e.g., minor deviations caused by mounting and compensates for tilted measuring objects. With two-sided thickness measurements, the mounting adapter supports the fine alignment of the two measuring points.

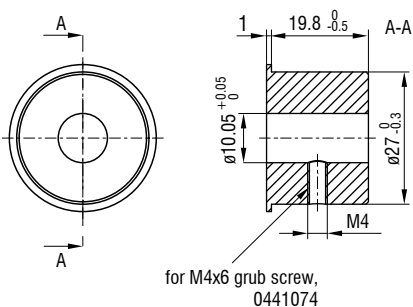


Scope of supply

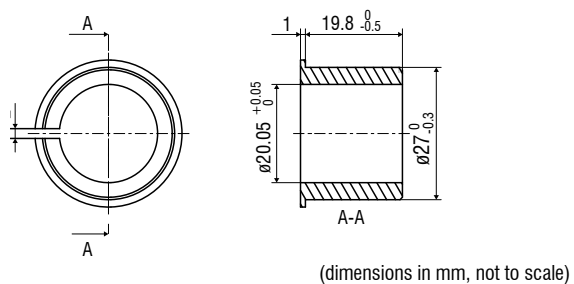
- Adjustable mounting adapter
- Sensor holder for sensors $\varnothing 10$ and $\varnothing 20$ mm
- Screwdriver for positioning
- Assembly instructions

Sensor holder

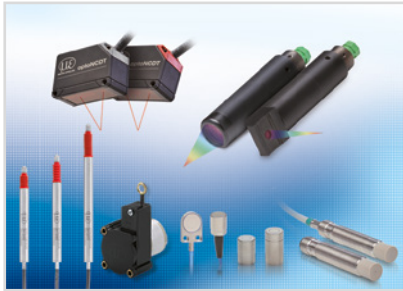
Sensor holder for JMA-10



Sensor holder for JMA-20



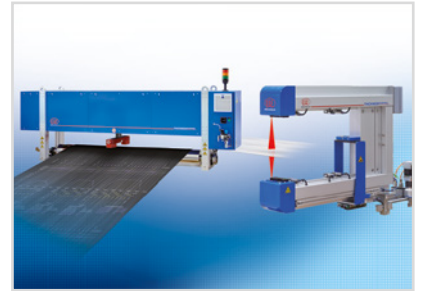
Sensors and Systems from Micro-Epsilon



Sensors and systems for displacement, position and dimension



Sensors and measurement devices for non-contact temperature measurement



Measuring and inspection systems for quality assurance



Optical micrometers, fiber optics, measuring and test amplifiers



Color recognition sensors, LED Analyzers and inline color spectrometers



3D measurement technology for dimensional testing and surface inspection